

H-32

TERNA ENGINEERING COLLEGE, NERUL, NAVI - MUMBAI.

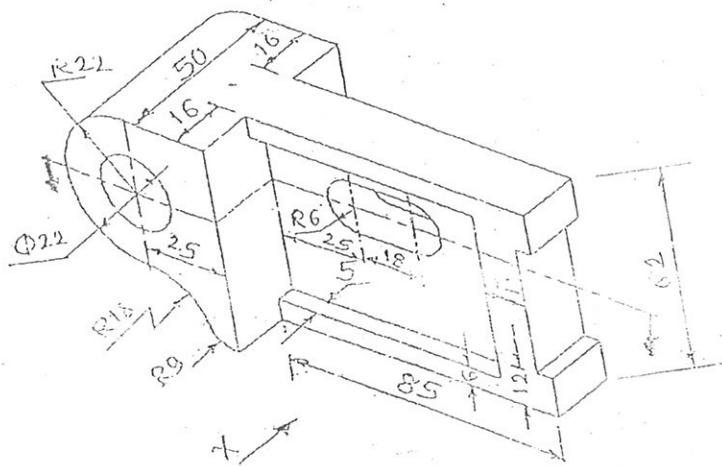
FE - H
Internal Assessment Test - I

SEM. II SUB. ENGINEERING DRAWING
DATE: 20/02/2015 TIME: 1 HOUR

Note: All dimensions are in mm
Assume suitable dimensions if necessary
Use first angle projection method only

Attempt any one of the following

- Q. 1) The pictorial view of an object is shown in the figure.
- | | | | |
|--------------------|----------|--------------------------------|---------|
| i) Draw Front View | 5 Marks, | ii) Top View | 4 Marks |
| iii) RHSV/LHSV | 4 Marks, | iv) Insert 10 major dimensions | 2 Marks |



OR

