

Test-I.

Subject: Engineering Drawing.

Maximum Marks: 15

Time: 10:30-11:30

Important Instructions:

1. Figures to the right indicate full marks
2. Solve all the questions.

Q.1. A line 70 mm long is inclined at 45° to HP and 30° to the VP. The end A is 20 mm above HP and 25 mm in front of VP. Draw projections of the line. (5)

OR

Q.1. A circle of 40 mm diameter rolls along a straight line without slipping. Draw a curve traced by a point on the circumference for one complete revolution of circle. Name the curve. (5)

Q.2. The top view of line is 60 mm long. The line is inclined at 45° to HP. The end A is 15 mm below HP and 20 mm Behind VP. The end B is 55 mm behind VP and below HP. Draw projections of the line and determine its inclination with VP. (10)

OR

Q.2. Figure shows pictorial view of an object, draw the following views using first angle projection method. (10)

- a) Front view from X direction.
- b) Top view.

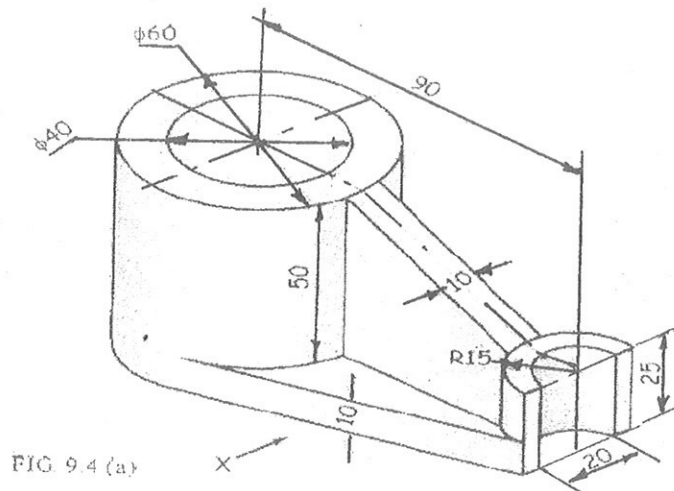


FIG. 9.4 (a)