

UNIT TEST - I

YEAR: FE [DIV C]

DATE: 02/03/15

SUB: EDG.

DURATION: 1 Hr.

MARKS: 15

Q1] The top view of 100mm Long line AB measures 70mm & F.V is 85 mm. Its one end A is 15 mm above HP & 25 mm I.F. of VP. The other end is in 3rd quadrant. Draw Projection of line & find inclination with HP & VP.

OR

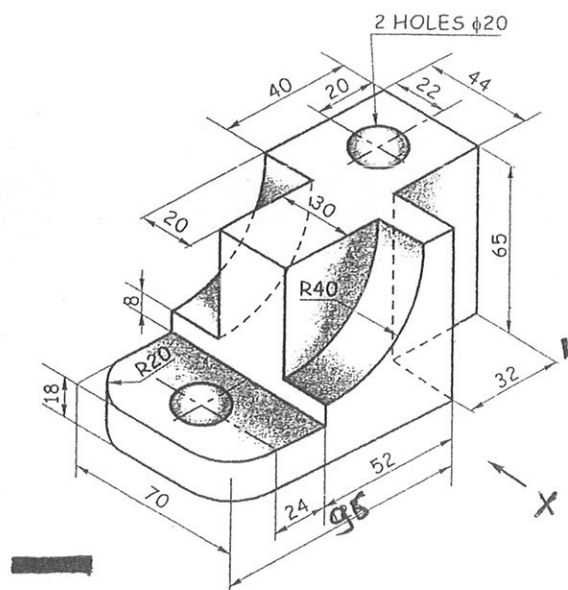
Q.1] A circle of dia. 50 mm rolls without slip on Horizontal surface by half a revolution & then it rolls up on a vertical surface by another half revolution. Draw Locus of a point P which is initially at bottom of circle.

[06 marks]

Q.2] Draw the following views for given m/c Part.

i.] F.V. (5m)

ii.] T.V. (4 marks)



32
59
8

24

128 -
84