



RAMRAO ADIK INSTITUTE OF TECHNOLOGY

NERUL, NAVI MUMBAI

FE SEM - II TERM TEST - I

SUBJECT : ENGINEERING DRAWING

Maximum Time: 1Hr. 30 min

Maximum Marks: 30

NOTE - 1) All questions are compulsory, 2) Use both sides of answer sheet.

1. Draw an involute of a circle of diameter 40 mm. 06 marks
2. Draw i) Sectional Front view along section A-A.
(ii) L.H.S.V. (Refer Fig. 1) 15 marks

OR

- 2 Draw (i) Sectional F.V. along section A-A.
(ii) T.V. (Refer Fig. 2) 15 marks

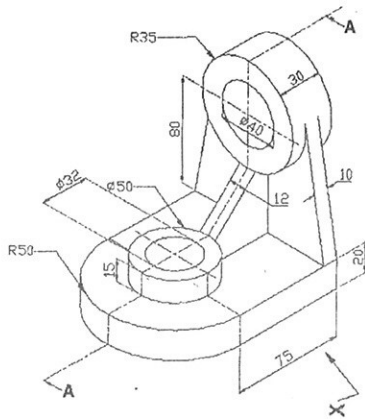


Fig. 1

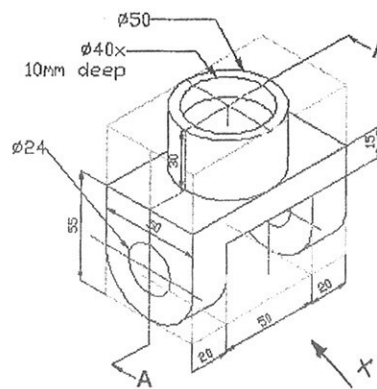


Fig. 2

- 3 Draw isometric views from the given orthographic views (Refer Fig. 3) 09marks

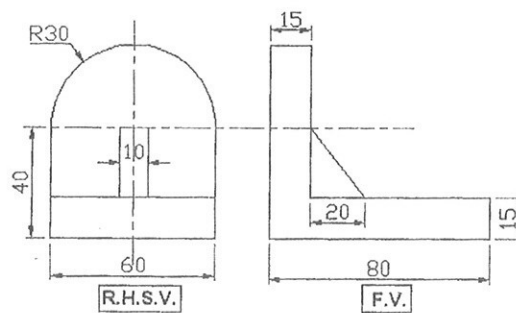


Fig-3

B